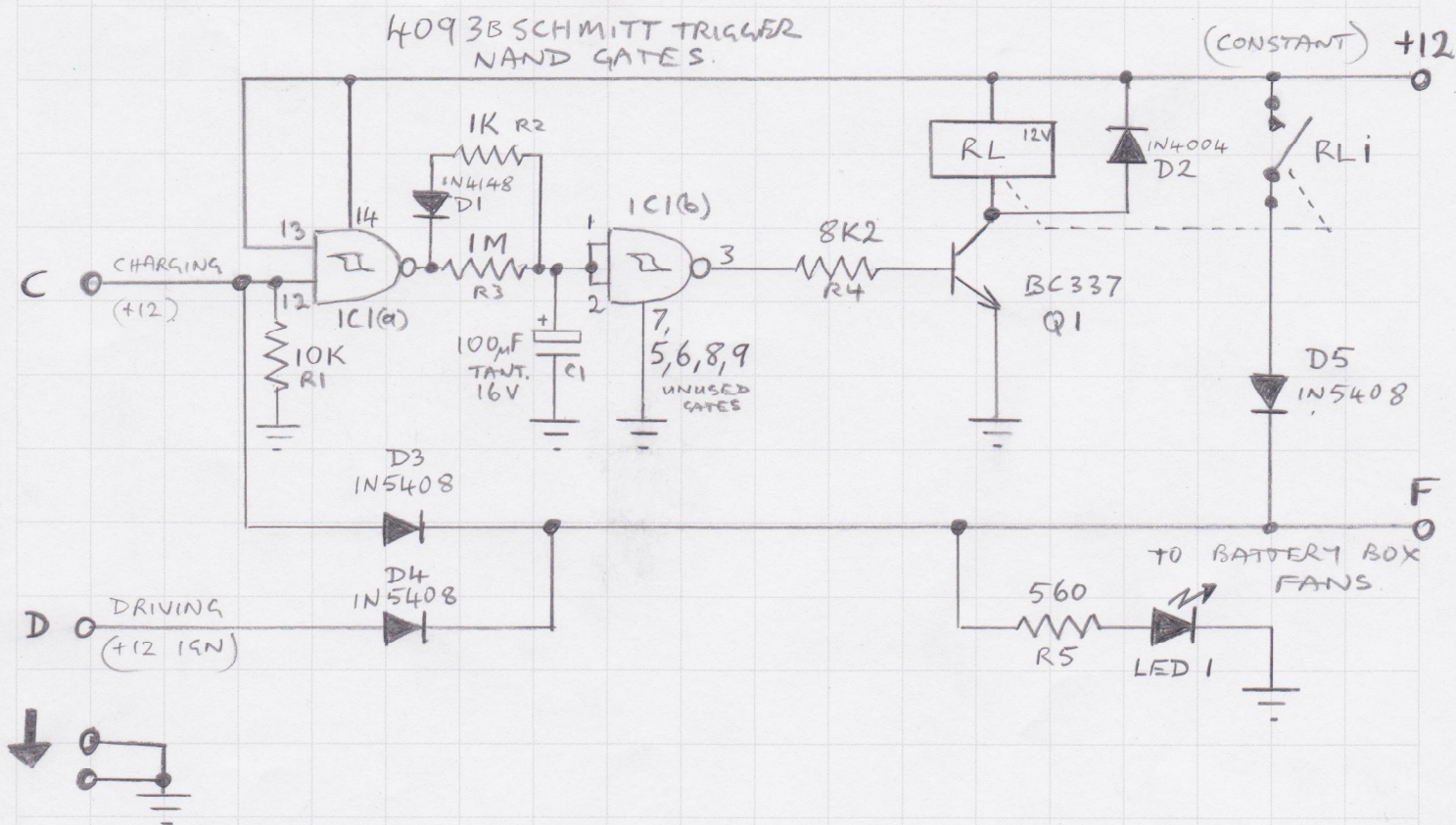


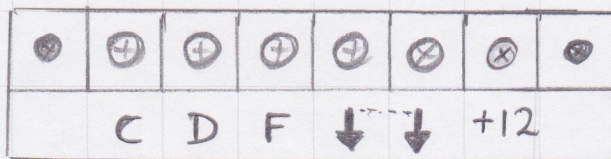
BATTERY BOX FAN CONTROL / TIMER

ERIC RODDA 2012.



NOTES:

- * WHEN "C" INPUT IS AT +12V OUTPUT "F" IS ON (+12V). (D3+D5)
- * WHEN "C" INPUT GOES OFF OUTPUT "F" REMAINS ON FOR A FURTHER 2 MINUTES (D5)
- * WHEN "D" INPUT IS AT +12V OUTPUT "F" IS ON. (D4)
- * ↓ ONE OF THESE CONNECTIONS MUST CONNECT TO THE CHASSIS (BATTERY NEGATIVE) THE OTHER CAN REMAIN UNUSED OR USED AS AN AUXILIARY EARTH CONNECTION
- * BATTERY BOX VENTILATION IS ONLY REQUIRED FOR LEAD ACID BATTERIES
- * +12 CONNECTION MUST GO TO UNSWITCHED +12V



⊙ LED 1 (ON WHEN OUTPUT 'F' IS ON.)